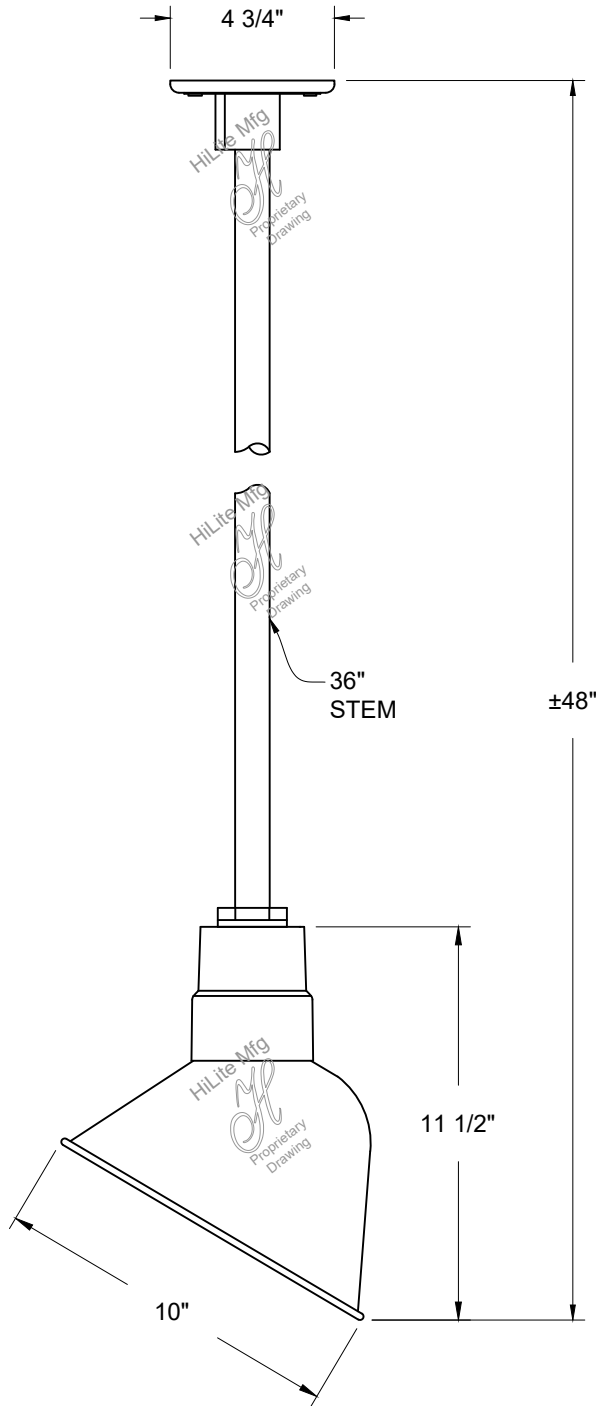




# HI-LITE MFG. CO., INC.

13450 Monte Vista Avenue  
 Chino, California 91710  
 Telephone: (909) 465-1999  
 Toll Free: (800) 465-0211  
 Fax: (909) 465-0907  
 www.hilitemfg.com

|                   |               |       |
|-------------------|---------------|-------|
| JOB NAME:         |               |       |
| SCALE:<br>N.T.S.  | DATE:<br>S.M. | TYPE: |
| DRAWN BY:<br>S.M. | QTY:          | REV:  |
| SHEET:            |               | REV:  |



**DAMP LOCATION**

| Item Number                      | Wattage | Voltage |
|----------------------------------|---------|---------|
| H-QSN18110-SA/QSN36"ST3/QSNHDSMC | 200W    | 120V    |

**Finish**  
 91-Black, 93-White, 96-Galvanized,  
 145-Oil Rubbed Bronze

**Mounting**  
 Stem Mount

**Lamp/Socket**  
 1-Medium Base INC

\*\*\*Confidential and Proprietary. The information contained on this page is the sole property of Hi-Lite Mfg. Co., Inc. Any reproduction, redistribution, or use to profit from in part or as a whole without prior written authorization of Hi-Lite Mfg. Co., Inc. is unlawful, against trade laws and will be prosecuted to the fullest extent.