



Assembly & Installation Instructions

CAUTION: Read instructions carefully and turn electricity off at main circuit breaker panel before beginning installation.

P6952-16TG

WARNING: (RISK OF FIRE): Recessed portions of recessed housing, other than at points of support, shall be spaced at least 1/2 inch from combustible material. Thermal insulation shall not be installed within three (3) inches of recessed housing, or junction box, and shall not be so installed above the fixture, as to entrap heat and prevent the free circulation of air.

WARNING: Use only those trims, lamps and maximum wattages proper for this fixture, as indicated on the label within the fixture housing.

WARNING: The National Electrical Code, Article 110-3 (b), states that "Listed or labeled equipment shall be used or installed in accordance with any instructions included in the listing or labeling". Use only with Progress UL listed trims. Use of other trims not listed in this fixture, including those that are UL classified, is a violation of N.E.C. 110-3(b) and voids all warranties.

WARNING: If any special control devices are used with this fixture, follow the instructions carefully to assure full compliance with N.E.C. requirements. If there are any questions, contact a qualified Electrical Contractor.

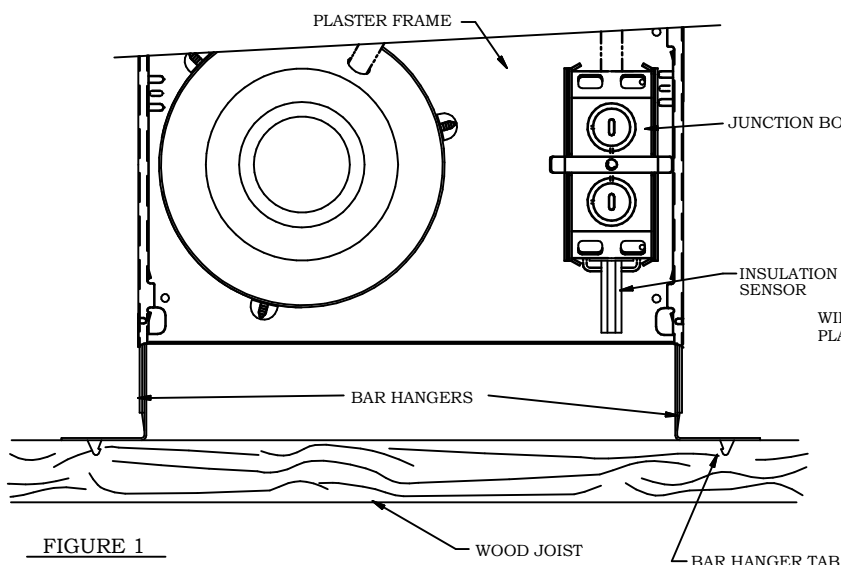


FIGURE 1

CAUTION:- ALL GLASS IS FRAGILE, USE CARE WHEN HANDLING LAMP.

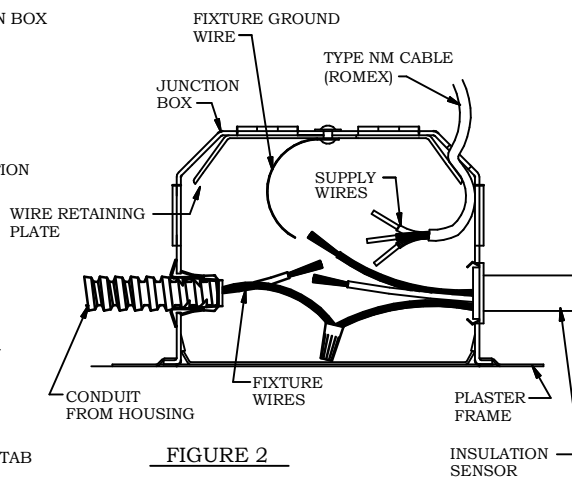


FIGURE 2

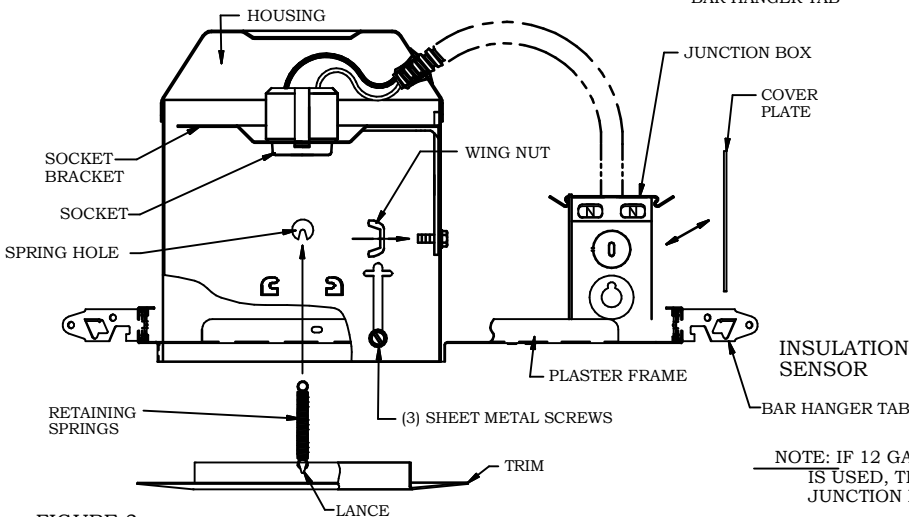
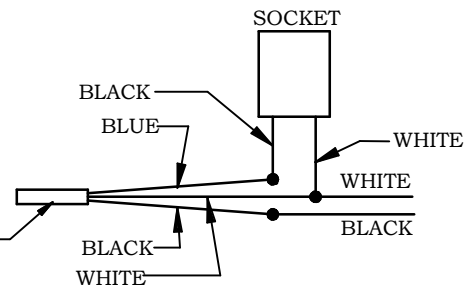


FIGURE 3



NOTE: IF 12 GA. OR 14 GA. TYPE NM CABLE (ROMEX) IS USED, THEN ONLY (1) CABLE PER SIDE OF JUNCTION BOX IS ALLOWABLE.

- 1.- SLIP BAR HANGERS THROUGH SLOTS IN PLASTER FRAME. HOLD FRAME IN DESIRED LOCATION BETWEEN JOISTS AND DRIVE BAR HANGER TABS INTO WOODEN JOISTS. USE NAILS THROUGH HOLES IN HANGER ENDS FOR ADDITIONAL SUPPORT IF NECESSARY. INSTALL LOCKING SCREWS INTO PLASTER FRAME AND TIGHTEN AGAINST BAR HANGERS TO PREVENT LATERAL MOVEMENT OF FRAME (SEE FIGURE 1).
- 2.- REMOVE COVER PLATE FROM JUNCTION BOX. SLIP TYPE NM CABLE (ROMEX) THROUGH DESIRED HOLE IN JUNCTION BOX ABOVE RETAINING PLATE. CONNECT SUPPLY WIRES AS SHOWN IN WIRING DIAGRAM. REPLACE COVER.
- 3.- IF OTHER THAN TYPE NM CABLE (ROMEX) IS TO BE USED, REMOVE ONE LARGE KNOCKOUT AT DESIRED LOCATION ON TOP OR SIDES OF JUNCTION BOX. FASTEN APPROPRIATE UL LISTED CONNECTOR (NOT FURNISHED) WITH ELECTRICAL SUPPLY CABLE IN JUNCTION BOX (SEE FIGURE 2).
- 4.- HOUSING CAN NOW BE ADJUSTED TO CEILING LEVEL BY LOOSENING THREE (3) SHEET METAL SCREWS AND RAISING OR LOWERING HOUSING THEN TIGHTENING SCREWS (SEE FIGURE 3).
- 5.- TO ADJUST SOCKET BRACKET, LOOSEN WING NUT AND SLIDE BRACKET UP OR DOWN TO CORRECT POSITION. TIGHTEN WING NUT WHEN COMPLETE.
- 6.- HOOK RETAINING SPRINGS INTO LANCES IN TRIM (SEE FIGURE 3). STRETCH RETAINING SPRINGS INTO SPRING HOLES IN HOUSING. PUSH TRIM ASSEMBLY UP INTO HOUSING UNTIL LIP ON TRIM PASSES UP AGAINST CEILING.
- 7.- INSTALL LAMP (NOT FURNISHED).

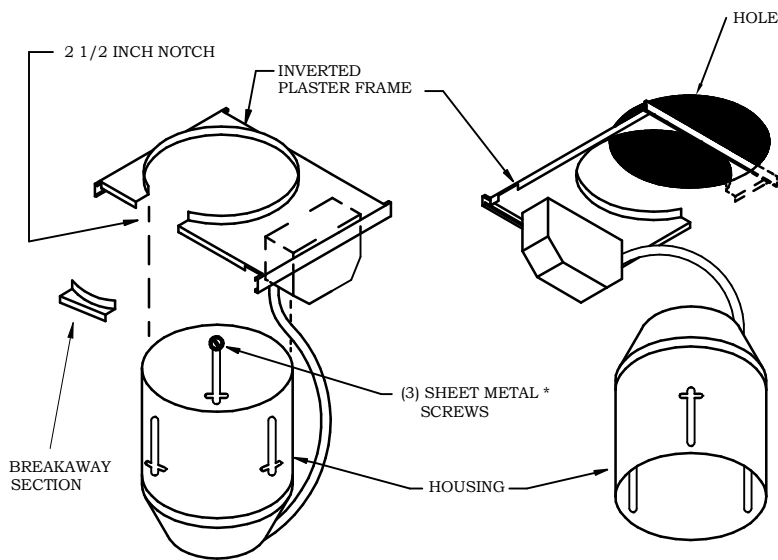


FIGURE 4

FIGURE 5

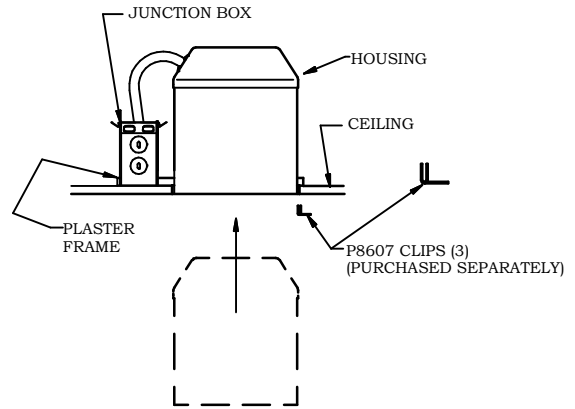


FIGURE 6

INSTALLATION IN EXISTING CEILING

CAUTION: BE CAREFULL NOT TO CUT JOISTS, WIRING OR PIPING WHEN CUTTING THE OPENING IN YOUR CEILING.

- 1.- DISCARD BAR HANGERS AND CUT A 6 7/8 INCH DIAMETER HOLE IN THE CEILING. PULL ELECTRICAL SUPPLY CABLE DOWN THROUGH OPENING.
- 2.- INVERT PLASTER FRAME AND HOUSING ASSEMBLY. REMOVE THREE (3) SHEET METAL SCREWS FROM HOUSING AND SET ASIDE. REMOVE HOUSING FROM PLASTER FRAME, ALTHOUGH STILL CONNECTED BY CONDUIT. AS PER FIGURE 4, CUT 2 1/2 INCH WIDE NOTCH WITH TIN SNIPS IN PLASTER FRAME.
- 3.- MAKE WIRING CONNECTIONS (SEE STEP 2 & 3 ON OTHER SIDE).
- 4.- TURN PLASTER FRAME ON ITS SIDE AND INSERT ONE LEG INTO HOLE IN CEILING. WHILE SLIGHTLY FLEXING OTHER LEG OF FRAME, CONTINUE INSERTING FRAME UNTIL JUNCTION BOX CLEARS HOLE IN CEILING (SEE FIGURE 5).
- 5.- TURN PLASTER FRAME RIGHT-SIDE-UP AND SEAT LIP OF FRAME OPENING INTO HOLE IN CEILING (SEE FIGURE 6).
- 6.- INSTALL THREE (3) PROGRESS P8607 CLIPS (PURCHASED SEPARATELY) ON LIP OF FRAME OPENING, TO KEEP FRAME IN PLACE. (SEE FIGURE 6)
- 7.- SLIDE HOUSING BACK INTO PLASTER FRAME. ADJUST TO CEILING HEIGHT AND SECURE IN PLACE WITH THREE (3) SHEET METAL SCREWS.

INSTALLATION IN SUSPENDED CEILING

PLASTER FRAME CAN BE INSTALLED IN SUSPENDED CEILINGS ACCORDING TO INSTRUCTIONS FURNISHED WITH PROGRESS P8773 SUSPENDED CEILING CLIPS. (PURCHASED SEPARATELY)