

# Ceiling LED Multi Pendant

**MP18205**  
INSTALLATION SHEET

## START FROM HERE

- Make sure power is completely off at the fuse box.
- Have your fixture installed by a qualified licensed electrician
- Prepare everything in a clear area.
- Wear gloves at all times during this installation.
- Read instructions carefully before you start assembly.
- Keep this instruction sheet for future reference.

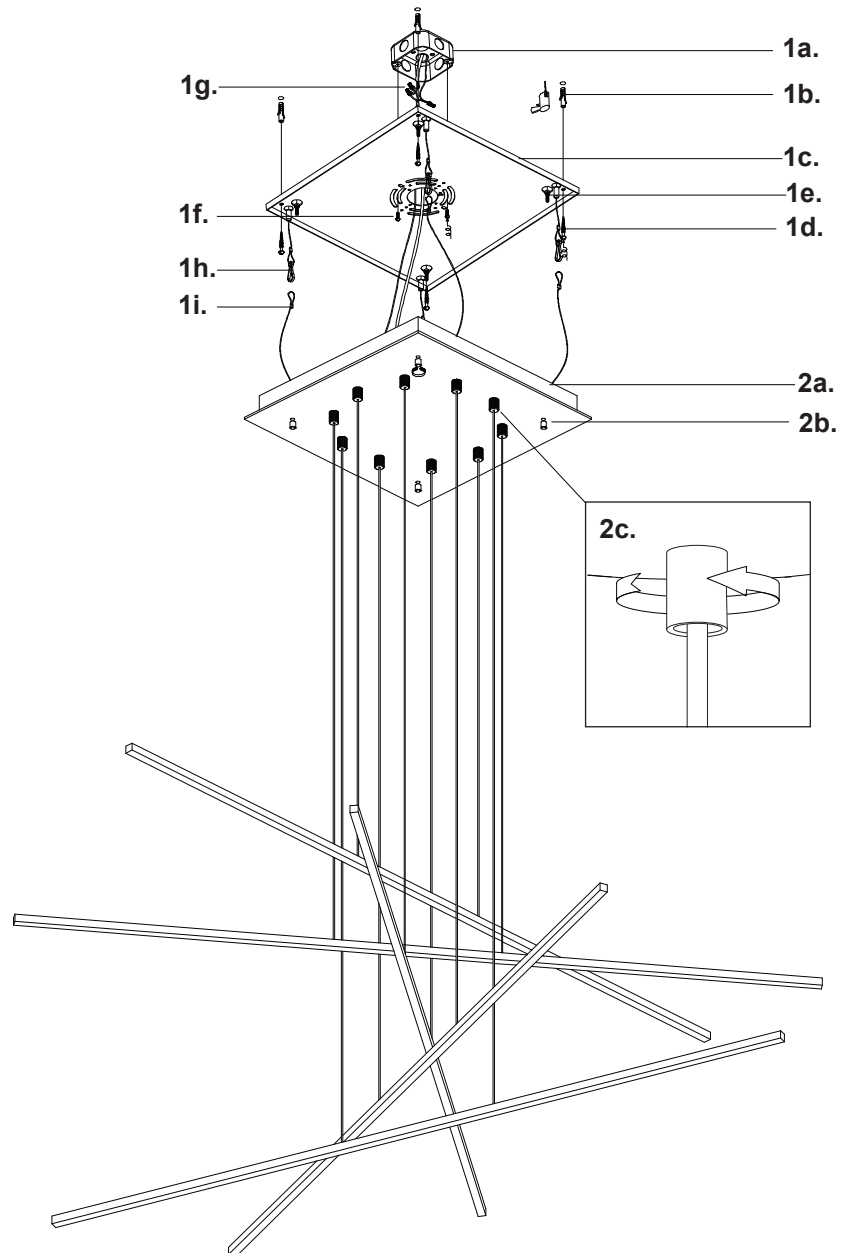
**Technical Support:** 1-855-855-8926

### Please Note:

- For dimming, a TRIAC type of dimmer is required.

**CAUTION:** CAUTION: HEAVY FIXTURE, THE JUNCTION BOX NEEDS TO BE REINFORCED BEFORE INSTALLATION. ALL MOUNTING SCREWS MUST SCREW INTO A MINIMUM OF 1" OF WOOD BEHIND THE DRYWALL. DO NOT MOUNT THIS FIXTURE JUST TO DRYWALL. (Be sure all wood that you screwed into, is secured to the cross beams/ceiling joists behind the drywall)

- 1.** Remove the fixture from its original packaging. Next, remove the mounting plate (1c) from within the canopy cover (2a) by removing the four decorative nuts (2b).
- 2.** Install the mounting plate (1c) to the junction box (1a) with screws (1f). For additional security add screws (1d) and plastic anchors (1b) through the mounting plate (1c) to the ceiling and wood backing. To set the fixture hanging height (120" maximum), loosen the wire lock nut (2c) at the canopy (2a) where the wire comes out from. Push the wire up to shorten, or pull the wire down to lengthen. When you have selected your desired length, just tighten back the nut (2c) and the wire will be held tightly in place.
- 3.** You are now ready to mount the canopy (2a) to the mounting plate (1c). First, connect all wires correctly G ground to ground, N neutral wire (white to white), L live wire (black to black) with provided marrettes (1g) from the hardware package. Attach the steel wires (1i) through the clips (1h). Align the four threaded studs (1e) hanging downward from the mounting plate (1c) to the four holes inside the canopy (2a). Push the canopy (2a) up towards the ceiling so the threaded studs (1e) clears through the holes in the canopy cover (2a). Next, screw on the four decorative nuts (2b) this will secure the canopy (2a) to the mounting plate (1c).
- 4.** You have now completed the installation of your fixture, enjoy.



KUZCO

19054 28th Avenue Surrey, BC Canada V3Z 6M3  
T: 604 538 7162 TF: 1-855 85 KUZCO F: 604 538 7196  
W: kuzcolighting.com  
20190806