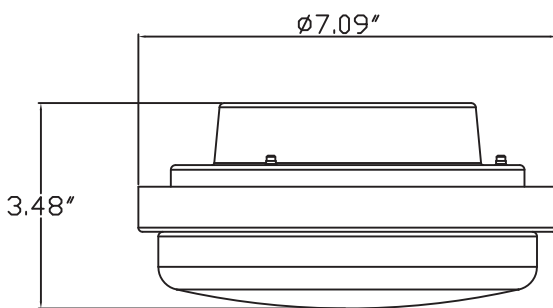


TRIAIRE™ CUSTOM

LK8514
LED Light Kit**



Net Hanging Weight: 1.83 lbs

INSTALLATION REQUIREMENTS:

Remove the plastic cap from TriAire Custom fan and install the light kit.

ELECTRICAL REQUIREMENTS:

Requires a grounded electrical supply line of 120 volts AC, 60Hz, 15 amp circuit.

LIGHTING BULBS:

One 18-watt CCT LED (3000K/4000K/5000K) included.

CONTROL:

TR305 hand-held remote control is available in Motor Asm. package.

LOCATION USE:

BN and BS light kit is rated for dry and damp locations.

BLW, DZW, GRW, MWW and SLW finish is rated for dry, damp and wet locations.

Available Finishes

BLW	Black with Opal Frosted
BN	Brushed Nickel with Opal Frosted
BS	Brushed Satin Brass with Opal Frosted
DZW	Dark Bronze with Opal Frosted
GRW	Matte Greige with Opal Frosted
MWW	Matte White with Opal Frosted
SLW	Silver with Opal Frosted

Lighting Information (120V)

Light Bulb	Lumens Amount	Delivered Lumens	Color Temp	CRI	Shade/Glass type
18W CCT LED	1600	697/724/712	Warm/Natural/Cool	90%	Opal Frosted